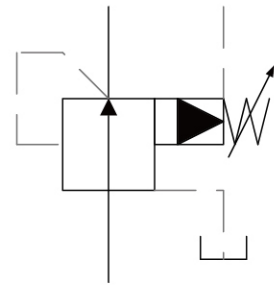


減壓閥 Pressure Reducing Valves



選購指南 HOW TO ORDER

BRV - 02		G	A	10
系列編號 SERIES NUMBER	閥口徑 VALVE SIZE	安裝型式 TYPE OF CONNECTION	壓力調整範圍 PRESSURE ADJ. RANGE MPa (kgf/cm ²)	設計號 DESIGN NUMBER
BRV	- 02 : 1/4"	G : 座墊式 Sub-plated Type T : 配管式 Thread Type	A : 0.3 (3) - 3.5 (35) B : 0.7 (7) - 7 (70) C : 3.5 (35) - 14 (140) H : 7 (70) - 21 (210)	- 10 (標準型) Standard Type
	- 03 : 3/8"			
	- 06 : 3/4"			
	- 10 : 1-1/4"			

規格說明 SPECIFICATIONS

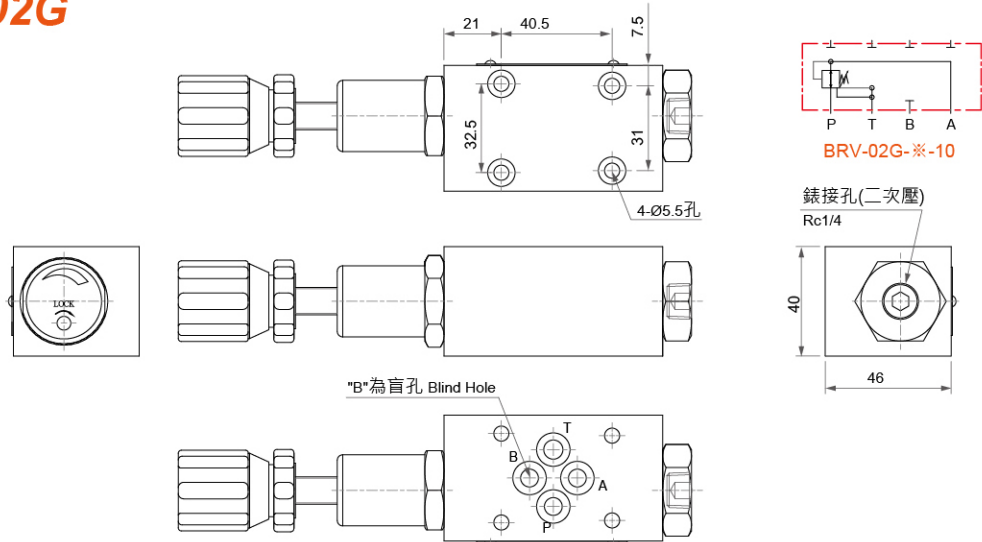
型式 Model Series	最高使用壓力 Max. Operated Pressure MPa (kgf/cm ²)	最大流量 Max. Flow (L/min)	重量 Weight (kg)	
BRV-02 (G/T)	21 (210)	40	1.3	1.5
BRV-03 (G/T)		50	4.7	4.4
BRV-06 (G/T)		125	6.8	7.5
BRV-10 (G/T)		250	11.5	13

安裝螺絲 MOUNTING BOLTS

型式 Model Series	安裝螺絲 Mounting Cap Screw
BRV-03G	M 10 X 50 L 4pcs
BRV-06G	
BRV-10G	M 10 X 50 L 6pcs

減壓閥 Pressure Reducing Valves

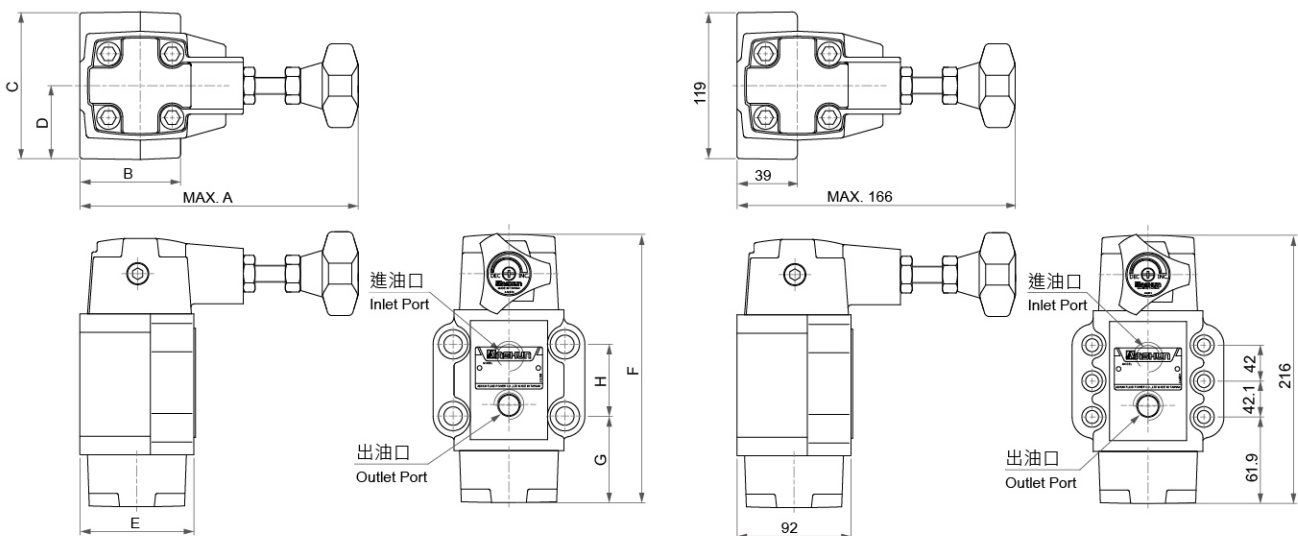
● BRV-02G



註:迴油配管請直接回油箱或油路板鑽BT通接B孔迴油
Oil return piping directly back to the oil tank or plate, drill hole BT through B port

● BRV-(03/06)G

● BRV-10G

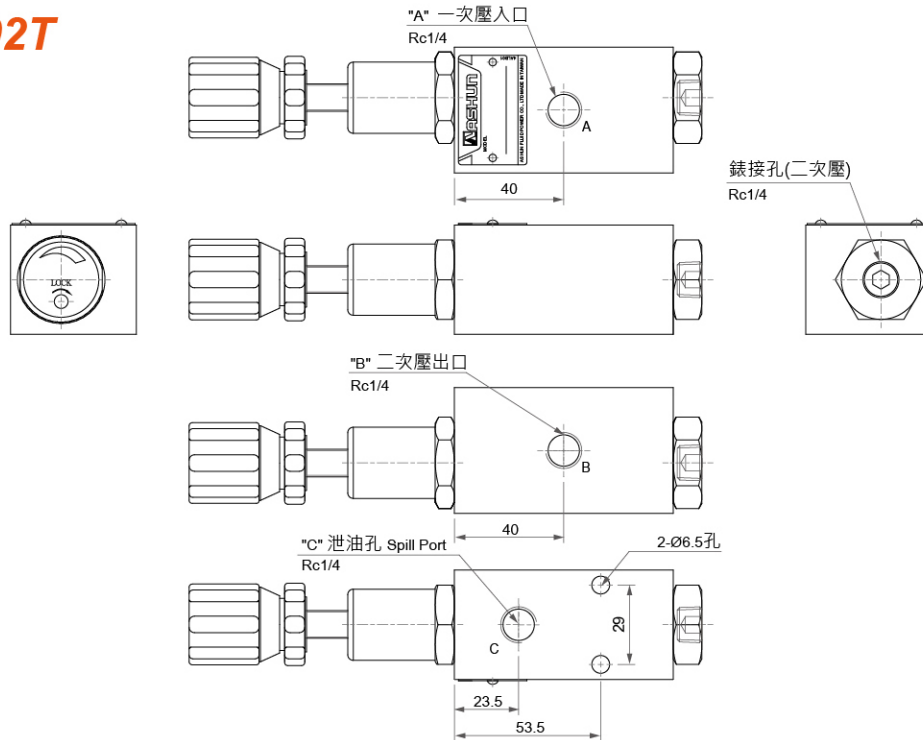


■ 尺寸說明 DIMENSION

型式 Model Series	A	B	C	D	E	F	G	H
BRV-03G	164	42	90	45	68	153	49.6	42.8
BRV-06G	165.8	42	102	51	77	187	50.7	60.3

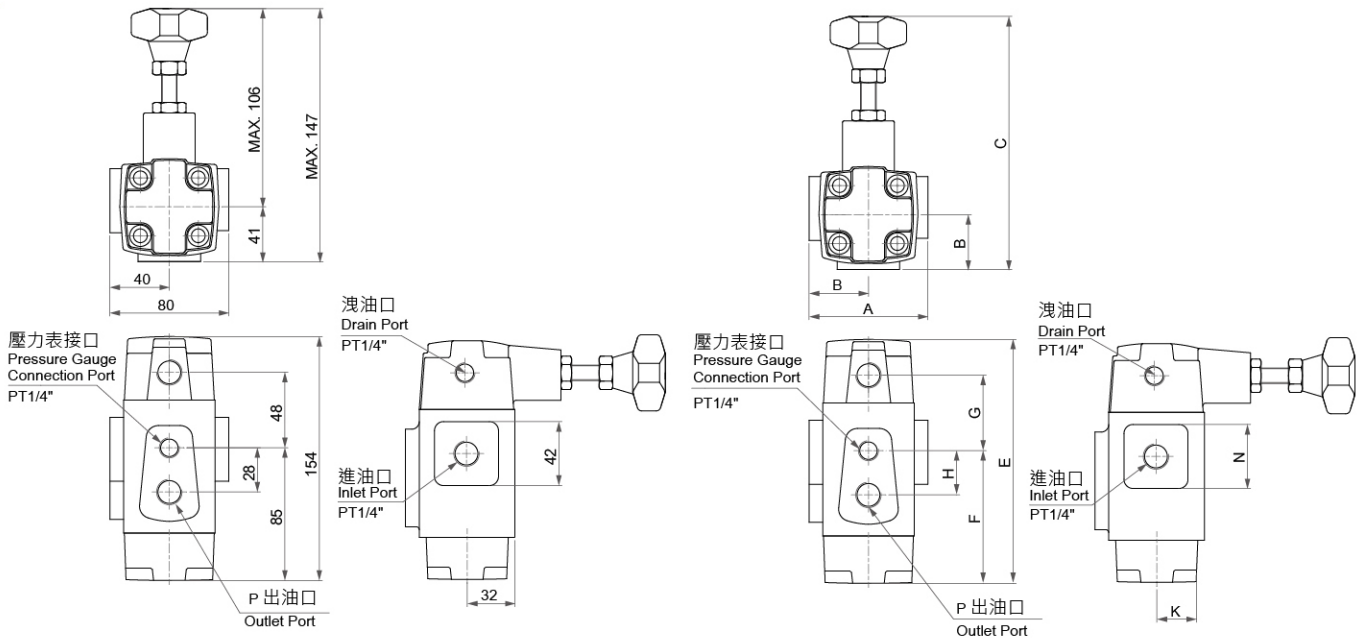
減壓閥 Pressure Reducing Valves

● BRV-02T



● BRV-03T

● BRV-(06/10)T



■ 尺寸說明 DIMENSION

型式 Model Series	A	B	C	E	F	G	H	K	N	P
BRV-06T	94	47	170.8	178	109	53.5	44.2	39	62	3/4
BRV-10T	132	66	167	216	124	64	40	50	79	11/4