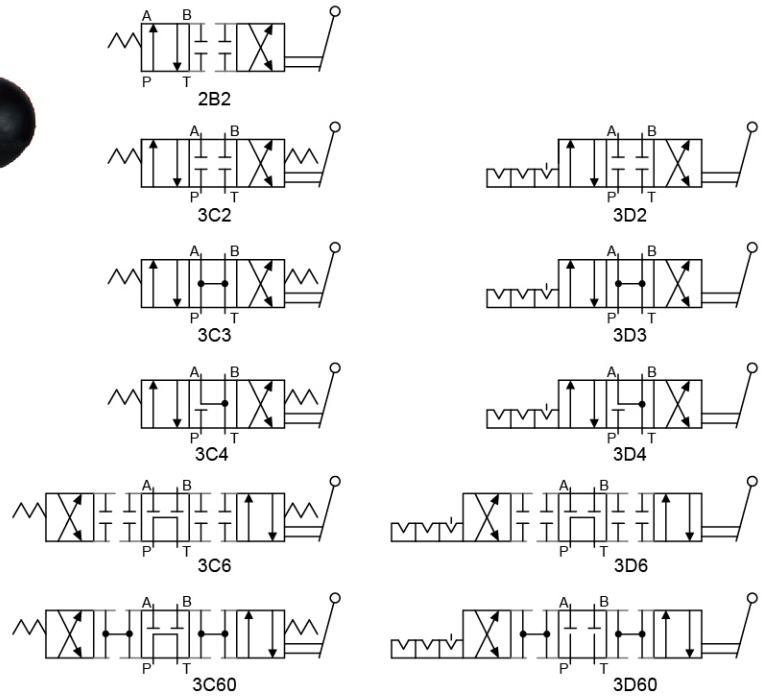


手動換向閥 Manually Operated Directional Valves



彈簧式 SPRING CENTRED

珠子式 NO-SPRING DETENTED

選購指南 HOW TO ORDER

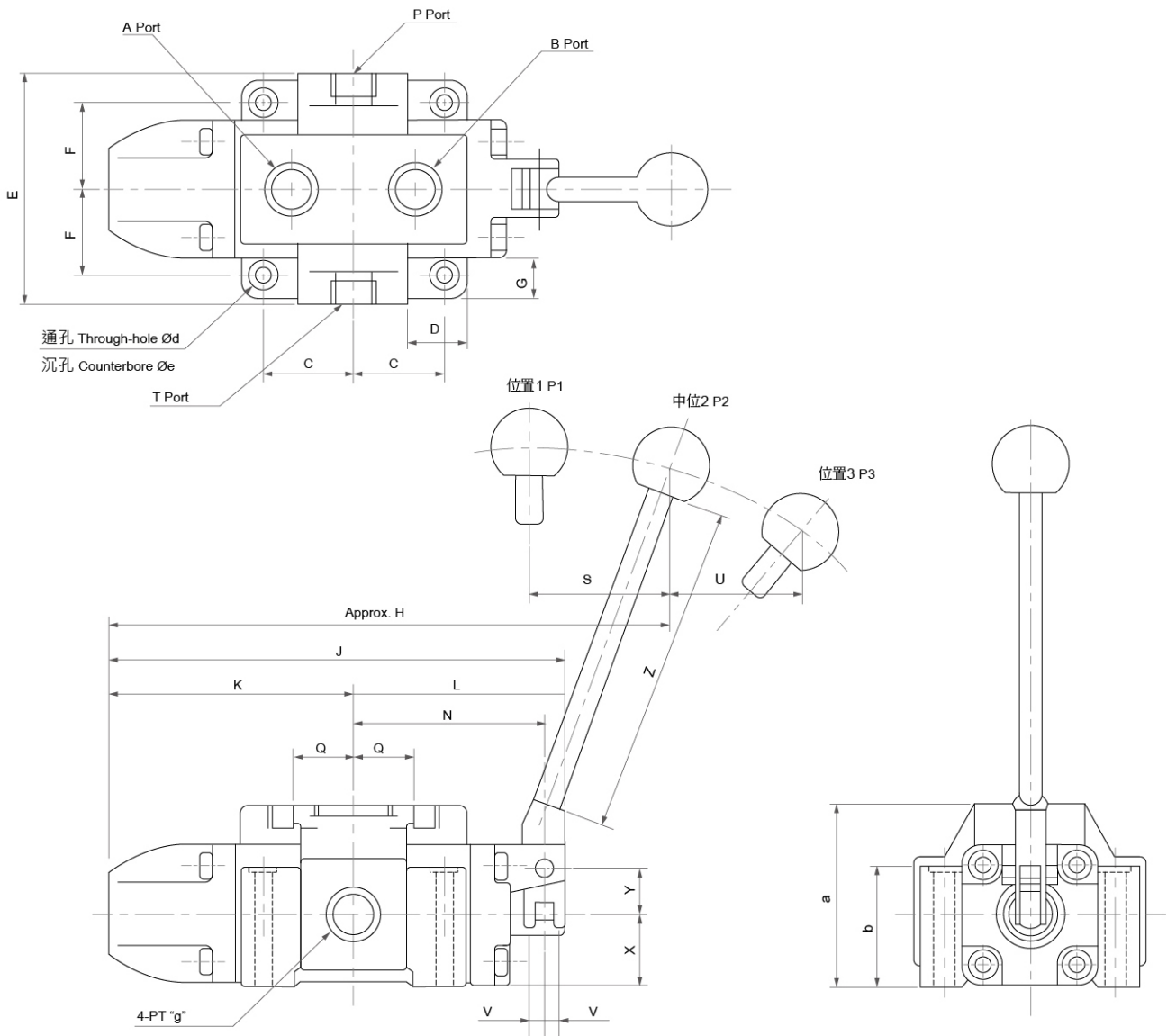
| 系列編號 SERIES NUMBER | 接續型式 TYPE OF CONNECTION | 閥口徑 VALVE SIZE | 閥芯 SPOOL | 設計號 DESIGN NUMBER |
|-----------------------|-------------------------------|-------------------|---|------------------------------------|
| DM | T (配管式) Thread Type | - 03 : 3/8" | 3 C 2 閥芯種類 Spool Type 閥芯彈簧佈置 Spool-Spring Arrangement B/C:彈簧式 Spring Centred D:珠子式 No-Spring Detented 位置數 Position Number 2:二位 2 Position 3:三位 3 Position | - 10 (標準型) Standard Type |
| | | - 04 : 1/2" | | |
| | | - 06 : 3/4" | | |
| | | - 10 : 1-1/4" | | |

規格說明 SPECIFICATIONS

| 型式 Model Series | 最高使用壓力 Max. Operated Pressure MPa (kgf/cm ²) | 容許背壓 Back Pressure Allowable MPa (kgf/cm ²) | 最大流量 Max. Flow (L/min) | 重量 Weight (kg) |
|--------------------|---|--|---------------------------|-------------------|
| DMT-03 | 21 (210) | 14 (140) | 75 | 5 |
| DMT-04 | | | 100 | 8 |
| DMT-06 | | | 180 | 13 |
| DMT-10 | | | 300 | 22 |

手動換向閥 Manually Operated Directional Valves

● DMT-03/04/06/10



■ 尺寸說明 DIMENSION

| 型式 Model Series | C | D | E | F | G | H | J | K | L | N | Q | S | U | V | X | Y | Z | a | b | d | e | g(PT) |
|-----------------|------|----|-----|------|----|-----|-----|-------|-----|-------|------|-----|----|------|----|----|-----|------|----|------|------|-------|
| DMT-03 | 29 | 18 | 76 | 25 | 10 | 246 | 176 | 94 | 82 | 73.5 | 23 | 46 | 42 | 5 | 41 | 22 | 200 | 84.5 | 74 | 7 | 11 | 3/8 |
| DMT-04 | 40.5 | 33 | 106 | 42 | 18 | 280 | 206 | 110 | 96 | 84 | 25 | 75 | 60 | 10 | 37 | 19 | 240 | 90 | 55 | 7 | 11 | 1/2 |
| DMT-06 | 50 | 30 | 128 | 47.5 | 20 | 320 | 257 | 138 | 119 | 108 | 33.5 | 86 | 76 | 9 | 40 | 35 | 250 | 100 | 67 | 11 | 17.5 | 3/4 |
| DMT-10 | 67 | 40 | 164 | 62.5 | 33 | 402 | 331 | 177.3 | 147 | 136.5 | 40 | 102 | 90 | 12.5 | 50 | 35 | 270 | 124 | 82 | 13.5 | 21 | 1 1/4 |