

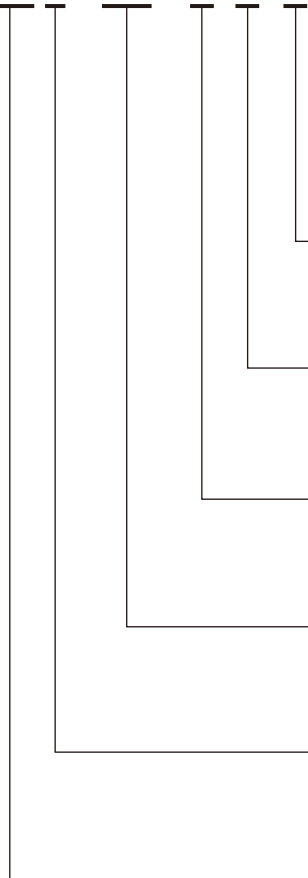


規格說明 SPECIFICATION :

| 型式 MODLE | | 最高使用壓力 MAX. OPERATING PRESSURE kgf/cm ² | 容許背壓 BACK PRESSURE kgf/cm ² | 最大流量 MAX. FLOW l/min | 重量 WEIGHT kg | |
|---------------------------------|-------------------------------|---|--|----------------------------|--------------------|---|
| 管式安裝 THREADED CONNECTIONS | 板式安裝 SUB-PLATE MOUNTING | | | | | |
| DMT-03-※ | DMG-03-※ | 250 | 100 | 50 | 4.5 | 4 |
| DMT-04-※ | | | 140 | 100 | 7 | |
| DMT-06-※ | | | | 180 | 11.5 | |
| DMT-10-※ | | | | 300 | 22.9 | |

型號說明 HOW TO ORDER :

DM T - 03 - 3 C 6



附屬品 ATTACHMENT :

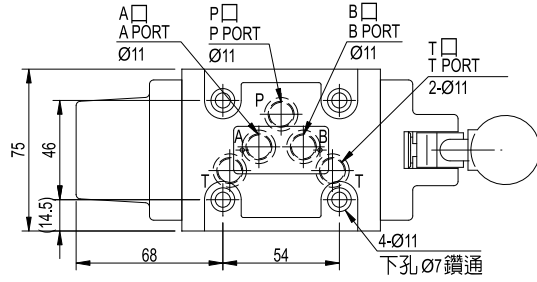
| 型式 MODLE NO. | 安裝螺絲 SOC HOL CAP SCREW |
|-----------------|---------------------------|
| DMG-03 | M6 X 45L.....4pcs |

- 主軸型式，見C-c10-03頁
SPOOL TYPE(AS C-c10-03)
- 中立定位 CENTERED LOCKING
C：彈簧定位 SPRING LOCKING
D：鋼珠定位 BALL LOCKING
- 閥位數 NUMBER OF VALVE POSITION
2：2 POSITION
3：3 POSITION
- 閥規格 VALVE SIZE
03：3/8" 04：1/2"
06：3/4" 10：1-1/4"
- 安裝型式 MOUNTING
G：板式安裝 SUB-PLATE CONNECTIONS
T：管式安裝 THREADED CONNECTIONS
- 系列編號 SERIES NUMBER

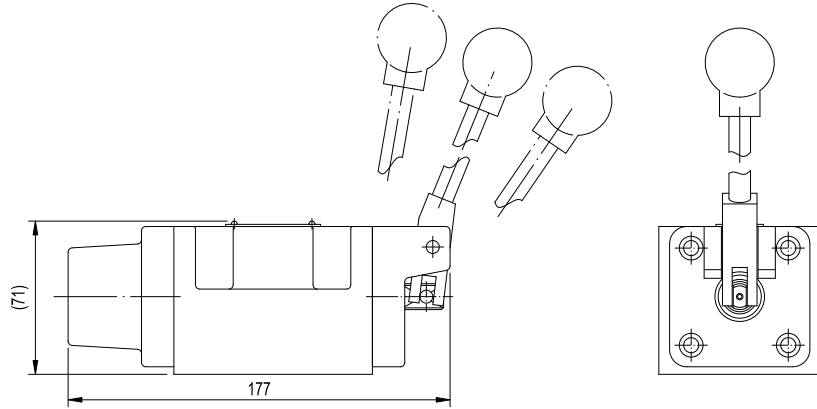
單位UNIT : mm

安裝尺寸 INSTALLATION DIMENSIONS

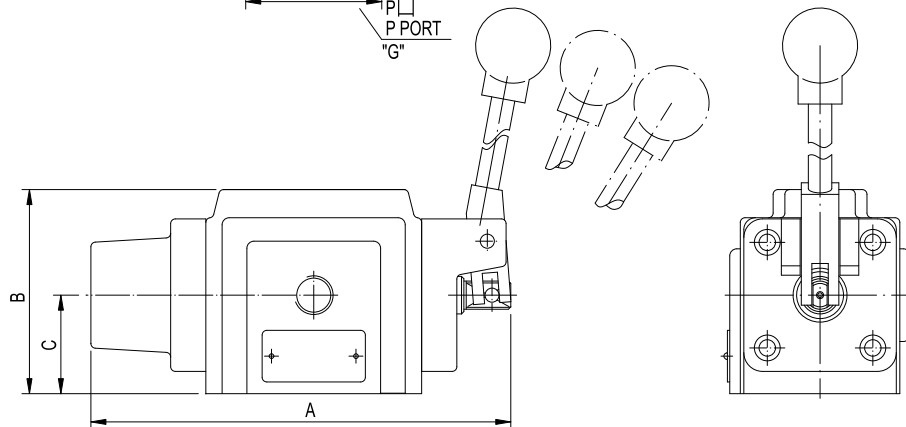
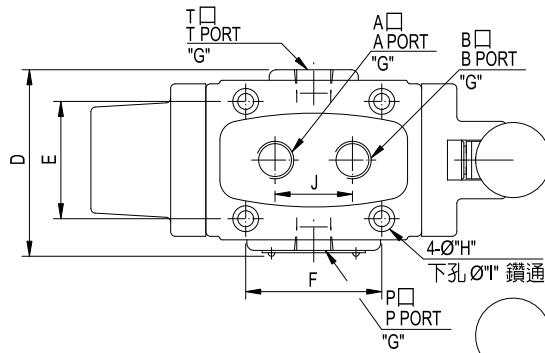
DMG-03-※



通用底板尺寸
APPLICATIVE
SUB-PLATE DIMENSIONS
MC - 02 - 1
(詳見 F-f1-10 Page F-f1-10)



DMT-※



| 型式 MODLE | A | B | C | D | E | F | G | H | I | J |
|---------------|-----|-------|----|------|-----|-----|----------|----|-----|----|
| DMT-03 | 179 | 87 | 42 | 79.5 | 50 | 58 | PT3/8" | 11 | 6.8 | 33 |
| DMT-04 | 203 | 94 | 42 | 111 | 85 | 80 | PT1/2" | 14 | 9 | 53 |
| DMT-06 | 261 | 102.5 | 41 | 130 | 98 | 100 | PT3/4" | 18 | 11 | 66 |
| DMT-10 | 320 | 124 | 50 | 162 | 125 | 134 | PT1-1/4" | 20 | 13 | 80 |

測試條件 PERFORMANCE CURVES:

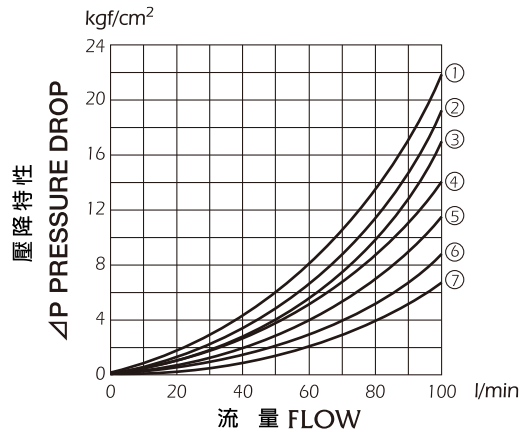
測試油黏度 TEST FLUID VISCOSITY : 35 cSt

測試油溫度 TEST TEMPERATURE : 50°C

壓力降特性 PRESSURE DROP

特性圖 PERFORMANCE CHART

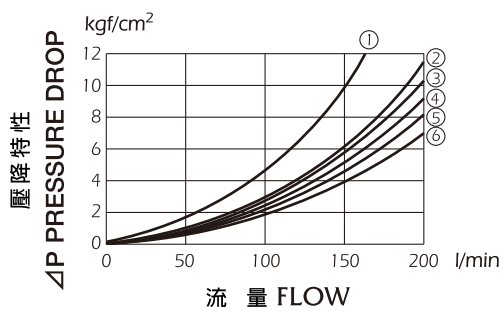
DMT-03



DMT-03

| 滑軸型式 SPOOL TYPE | 壓力降曲線代碼 PRESSURE DROP LINE NUMBER | | | | |
|-----------------------|--------------------------------------|-----|-----|-----|-----|
| | P→A | B→T | P→B | A→T | P→T |
| C2 | ④ | ⑤ | ④ | ⑤ | - |
| C3 | ⑥ | ⑥ | ⑥ | ⑥ | ⑥ |
| C4 | ④ | ⑦ | ④ | ⑦ | - |
| C5 | ⑥ | ⑤ | ④ | ⑥ | ② |
| C6 | ⑤ | ⑤ | ⑤ | ⑤ | ① |
| C60 | ⑤ | ⑤ | ⑤ | ⑤ | ① |

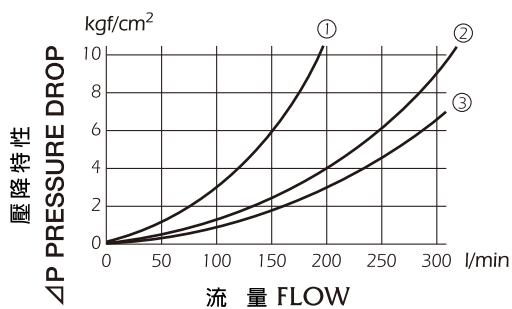
DMT-04



DMT-04

| 滑軸型式 SPOOL TYPE | 壓力降曲線代碼 PRESSURE DROP LINE NUMBER | | | | |
|-----------------------|--------------------------------------|-----|-----|-----|-----|
| | P→A | B→T | P→B | A→T | P→T |
| C2 | ⑤ | ② | ⑤ | ④ | - |
| C3 | ⑥ | ③ | ⑥ | ⑤ | ③ |
| C4 | ⑤ | ④ | ⑤ | ⑤ | - |
| C40 | ⑤ | ④ | ⑤ | ⑤ | - |
| C5 | ⑤ | ② | ④ | ⑤ | ① |
| C6 | ② | ③ | ④ | ② | ① |
| C60 | ② | ③ | ④ | ② | ① |

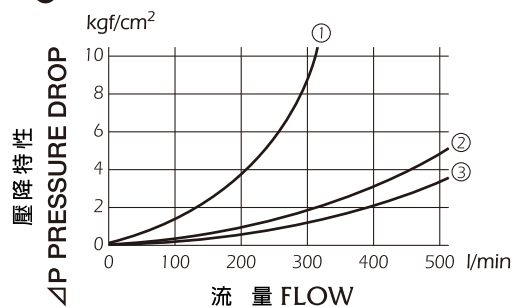
DMT-06



DMT-06

| 滑軸型式 SPOOL TYPE | 壓力降曲線代碼 PRESSURE DROP LINE NUMBER | | | | |
|-----------------------|--------------------------------------|-----|-----|-----|-----|
| | P→A | B→T | P→B | A→T | P→T |
| C2 | ② | ② | ② | ② | - |
| C3 | ③ | ② | ③ | ② | ② |
| C4 | ② | ③ | ② | ② | - |
| C5 | ③ | ② | ② | ② | - |
| C6 | ③ | ② | ③ | ② | ① |
| | ③ | ② | ③ | ② | ① |

DMT-10



DMT-10

| 滑軸型式 SPOOL TYPE | 壓力降曲線代碼 PRESSURE DROP LINE NUMBER | | | | |
|-----------------------|--------------------------------------|-----|-----|-----|-----|
| | P→A | B→T | P→B | A→T | P→T |
| C2 | ③ | ② | ③ | ② | - |
| C3 | ③ | ② | ③ | ② | ② |
| C4 | ③ | ③ | ③ | ② | - |
| C5 | ③ | ② | ③ | ② | - |
| C6 | ③ | ③ | ③ | ③ | ① |
| C60 | ③ | ③ | ③ | ③ | ① |